

# Outdoor IP Camera Housing



**SSI** Security  
Solution  
inc.

## VAHB-30

- Designed for network (IP) cameras
- IP66 rating protection
- Built-in RJ 45 Ethernet connection
- Easy installation with Plug-n-Play
- No splicing or crimping for data/power
- All die-cast aluminum construction
- Flip top cover with compression spring
- 10mm thick rubber gasket for protection
- Adjustable aluminum mount plate
- Heater/Blower powered via PoE
- With sunshield for maximum protection

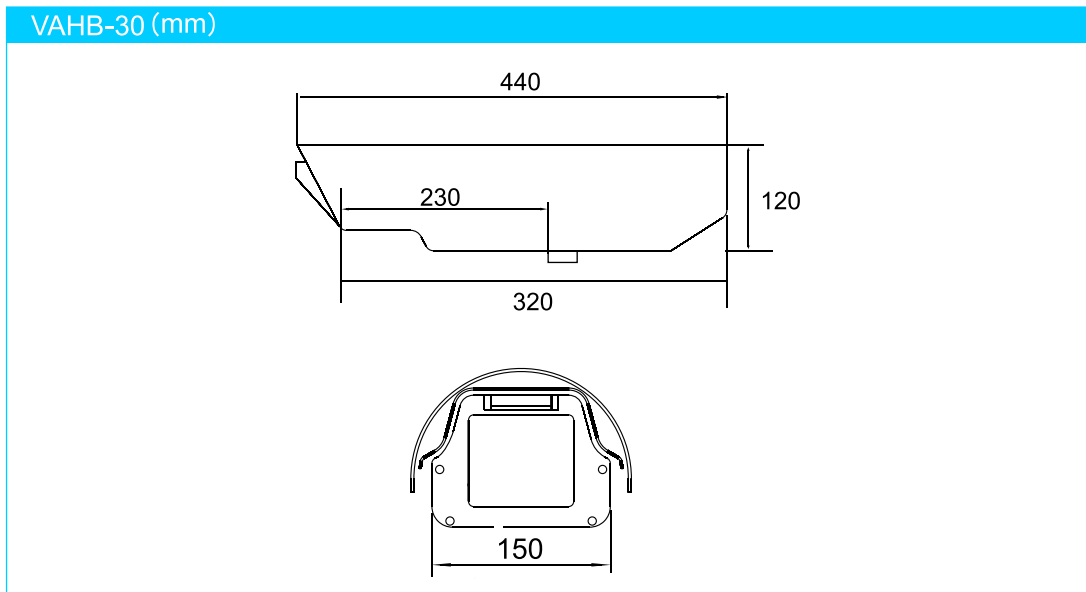
results that matter

# VAHB-30

## Specifications

Model	VAHB-30
Description	Outdoor camera housing
Outer dimensions	150 (W) *120 (H) *320 (L) mm
Inner dimensions	125 (W) *110 (H) *300 (L) mm
Material	Die-cast aluminum
Input voltage	24VAC/12VDC Optional
Power consumption	24VAC:20W 12VDC:12W
Operating temperature	-30°C ~ 60°C
Heater	ON: 5°C±3°C OFF: 15°C±5°C
Blower	ON: 40°C±5°C OFF: 25°C±5°C
Bracket	Optional

## Dimension Chart



## Ordering Information

VAHB-30	Outdoor camera housing
VAHB-30-H	Outdoor camera housing with heater
VAHB-30-B	Outdoor camera housing with blower
VAHB-30-HB	Outdoor camera housing with heater&blower