

Strikes Lock SSL-200 Series Manual

SSL-200A Fail-Secure

(Door unlocked with power connected)

SSL-200B Fail-Safe

(Door locked with power connected)

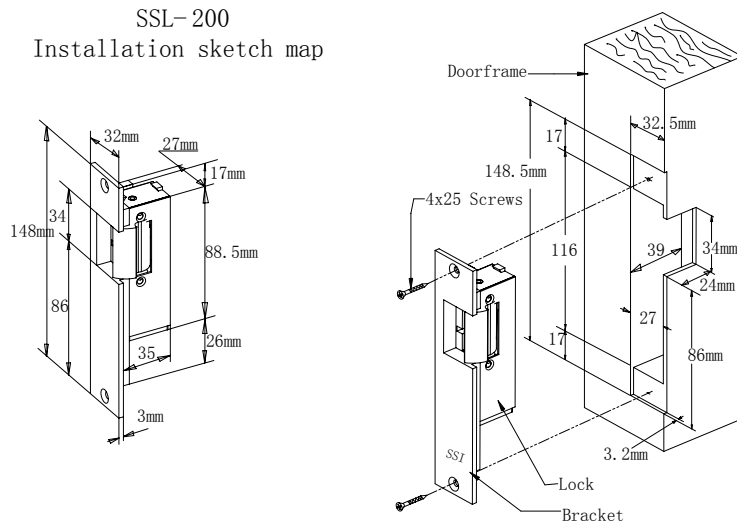
◎ **Application Range:** Usually used in electric control door in office buildings or villas, and normally work together with decoration locks and access control system.

◎ **Feature:** Long-distance control; low consumption and safe; No difference for it's left or right in installation. Clarify by it's unlock mode: Fail-Secure (Door unlocked with power connected) and Fail-Safe (Door locked with power connected).

◎ **Spec.:**

Model	Input Voltage	Current	Model	Input Voltage	Current
SSL-200A	12V	240mA	SSL-200B	12V	120mA
DIM.	148mm x 32mm x 38 mm				

SSL-200
Installation sketch map



<http://www.securitysolutioninc.com>