

NETWORK SPEED DOME

VPTZ 2000

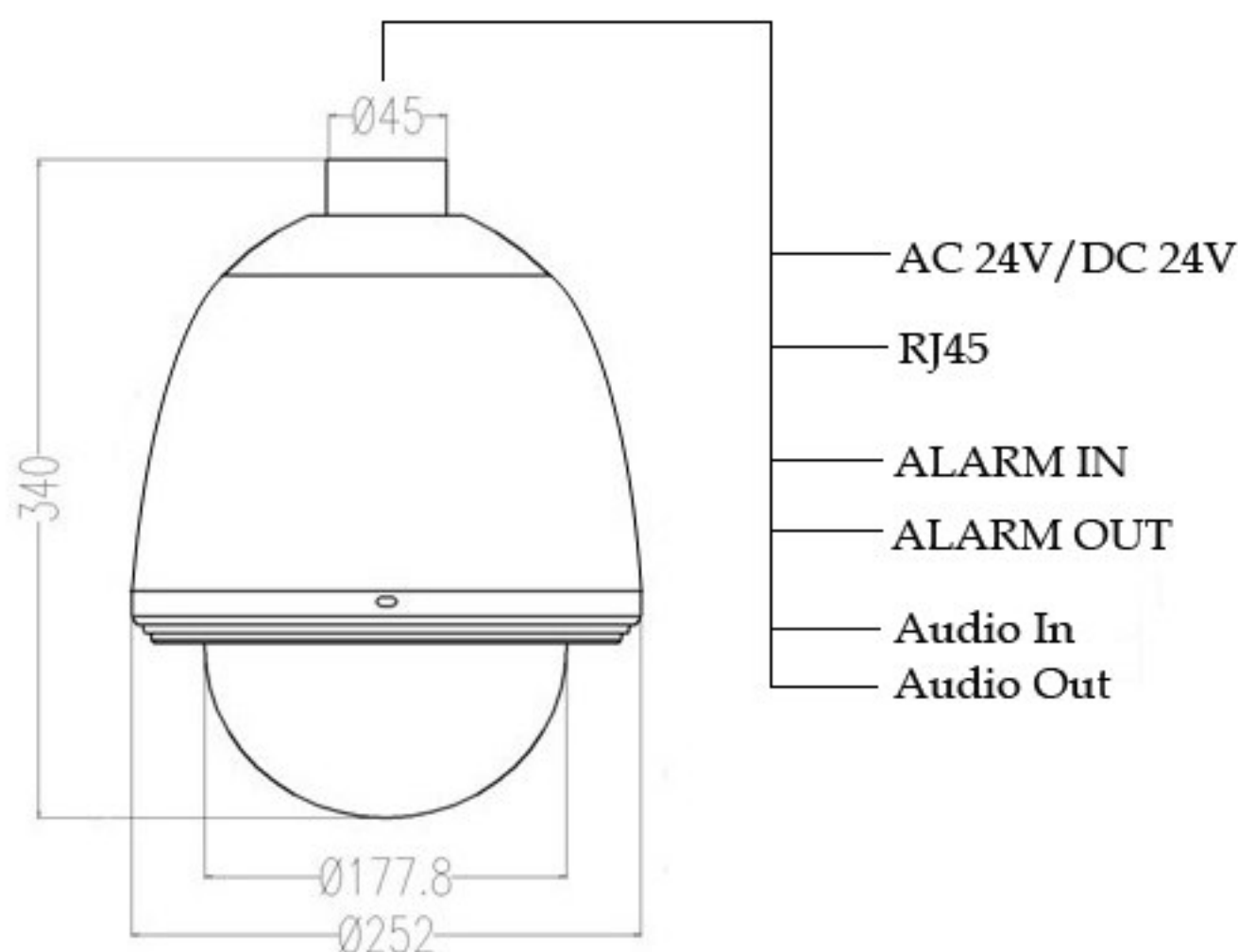
- SONY 1/4" Exview HAD CCD
- DAY/NIGHT
- 540 TVL Resolution
- H.264 Compression
- IP66 Rated Protection
- Standard G.722 Audio Compression
- Motion Detection
- Built in Web Server
- 0.001 Lux Minimum Illumination



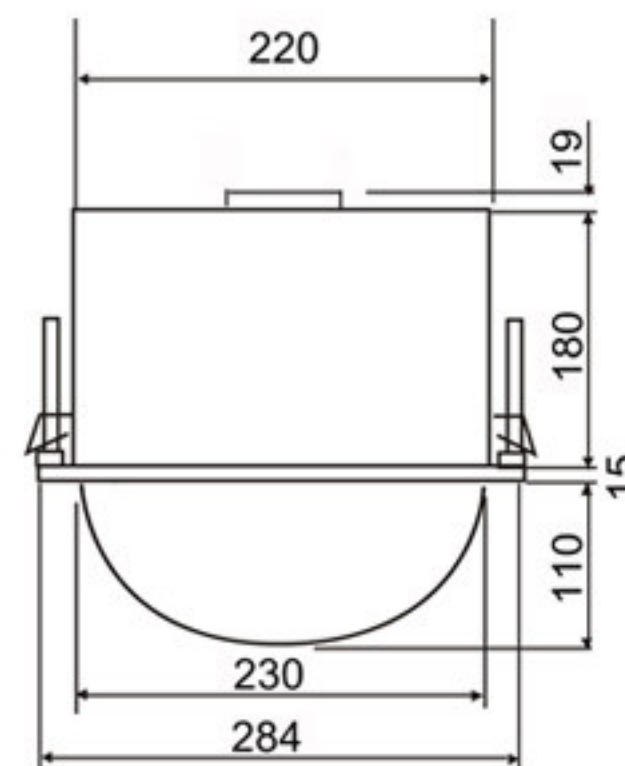
SSI's VPTZ 2000 series adopts H.264 compression and supports TCP/UDP/HTTP/PPPoE/DDNS/DJCP/IGMP Multi Protocol. It can output either analog or digital, transport high quality pictures through IP Multicast and IGMP, horizontal/vertical digital coordinate positioning. It supports a maximum of 36x optical zoom and 12x digital zoom.

The Titanium Aluminium alloy casing and new insulating coat make it very sturdy. The management, configuration and monitoring of the IP camera can be accomplished through Internet Explorer, and is very user friendly.

Dimensions (mm)



VPTZ 500IP (Recess IP PTZ Dome Camera)



Technical Specifications - SSI VPTZ2000 Network Speed Dome

| Model | VPTZ2000/s18x | VPTZ2000/s26x | VPTZ2000/s36x |
|------------------------|--|--|---|
| Image Sensor | SONY 1/4" ExView HAD CCD | | |
| Horizontal Resolution | 480TVL | 480TVL | 540TVL |
| Lens | 18x zoom, f=4.1mm(wide) to 73.8mm(tele), F1.4 - F3.0 | 26x zoom, f=3.5mm(wide) to 91.0mm(tele), F1.6 - F3.8 | 36x zoom, f=3.4mm(wide) to 122.4mm(tele), F1.6 - F4.5 |
| Minimum Illumination | 0.7 Lux (color Mode) 0.001 Lux (B/W mode) | 1.0 Lux (color mode) 0.001 Lux (B/W Mode) | 1.4 Lux (color) 0.001 Lux(B/W Mode) |
| Wide Dynamic Range | No | No | Yes(on/off) |
| Shutter Speed | 1/1 to 1/10,000 s, 22 steps | | |
| Frame Rate | 25 fps (PAL), 30 fps (NTSC) | | |
| Hardware | CPU: Hi3510, ROM: 8Mb Flash ROM, RAM: 32Mb SDRAM | | |
| Network Interface | 10/100Mbps RJ45 | | |
| Security | 3 Layer Password Protection | | |
| System Requirements | PIII CPU, 96Mb RAM, 17" Monitor at 1024x768 | | |
| White Balance | Auto, ATW, Indoor, Outdoor, One-push, Manual | | |
| AE Control | Auto, Manual, Priority mode, Bright, EV compensation, Backlight compensation | | |
| S/N Ratio | >50dB | | |
| Video Output | VBS: 1.0 Vp-p (Sync negative), Y/C Output | | |
| Sync System | Internal/External (V-Lock) | | |
| Focus | Auto, One-push AF, Manual, Interval AF, Zoom Trigger AF | | |
| Audio | Bi-Directional, Audio in/Audio out | | |
| Privacy Zone Masking | On/Off (24 Positions) | | |
| Picture Effect | E-Flip, Nega. Art, Black & White, Mirror Image | | |
| Motor | Stepping Motor | | |
| Preset | 128 Preset Points | | |
| Cruise Tour | 8 Groups, 16 Preset | | |
| Auto Flip | Rotates 180° when camera tilts to Vertical Position | | |
| Preset Speed | 280°/s | | |
| Pan Rotation Range | 360° Continuous | | |
| Tilt Range | Tilt 90° | | |
| Communication | Standard RS-485 Interface | | |
| Protection Rating | IP66 | | |
| Operating Temperature | -40° C ~ +60° C (Outdoor Dome) | | |
| Fan/Heater | Auto-Starts (Outdoor Dome) | | |
| Power Supply | AC 24V | | |
| Max. Lightning Voltage | 6000V | | |
| Static Resistance | Air Discharge : 15000V Contact Discharge : 8000V | | |

Mount Options



Eagle Mount



Goose Mount



Drop Mount



Pole Mount



Wall Mount

Dome Cover Options



Normal



Tinted



Rugged